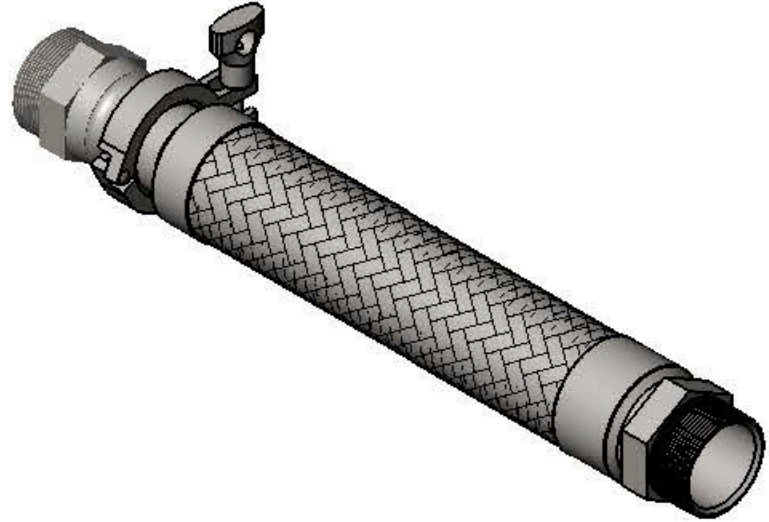
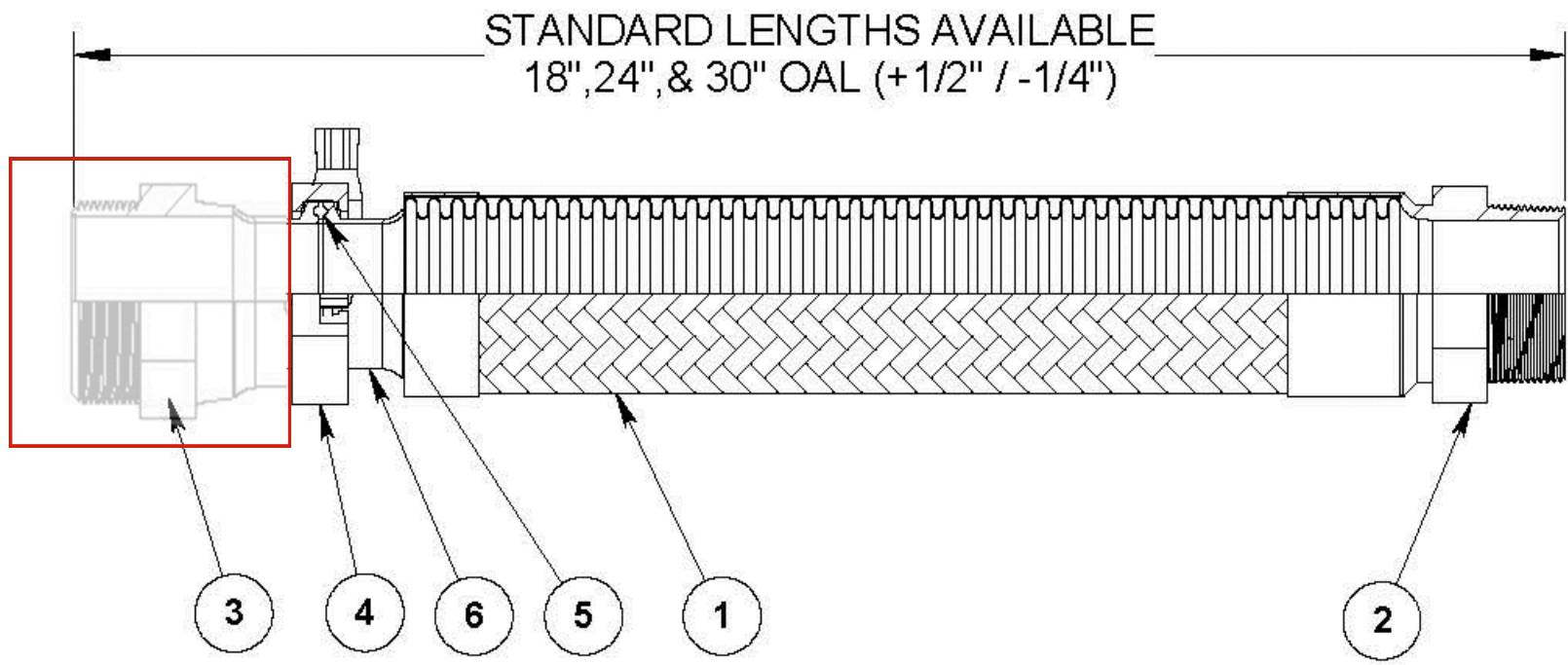


REVISIONS			
REV.	DESCRIPTION	DATE	APPROVED
		2/18/2014	



Hex male adapter shown represents only one of the various end fittings available. Please refer to catalog for other options.



NOTE: UL & cULus APPROVED CONNECTORS

--- COMPONENTS LIST ---

ITEM #	QTY.	DESCRIPTION	MATERIAL
1	1	2" AF4750	300 Series Stainless
2	1	2" Hex Male	304
3	1	2" Hex Male Adapter	304
4	1	2" Quick Clamp	304
5	1	2" QuickClamp Seal	Viton
6	1	2" Sanitary Flange	304



HOSE MASTER

1233 East 222nd Street • Cleveland, Ohio 44117
 (800) 221-2319 • Fax: (216) 481-7557 • www.hosemaster.com
 Cleveland • Houston • Atlanta • Reno

ISO 9001
Registered Quality System



DESCRIPTION:

2" FIRESHEILD QUICKCLAMP ASSEMBLY

DRAWING #

FSQM0200

DATE: 7/16/2018

PROJECTION:



REV.

-.03

SHEET 1 OF 1